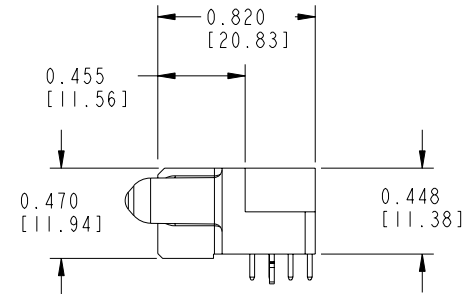
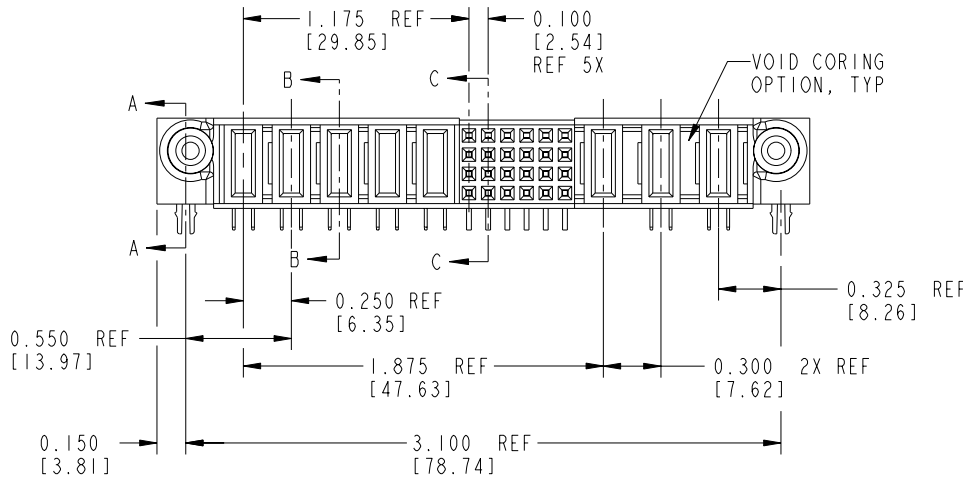
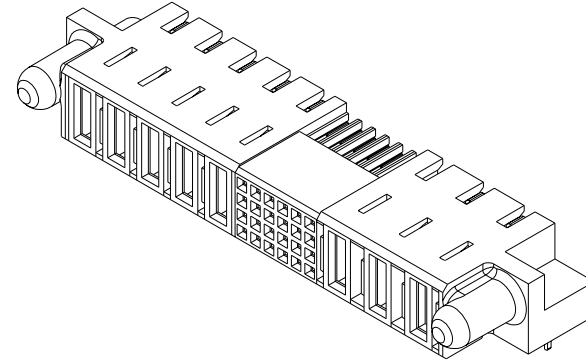
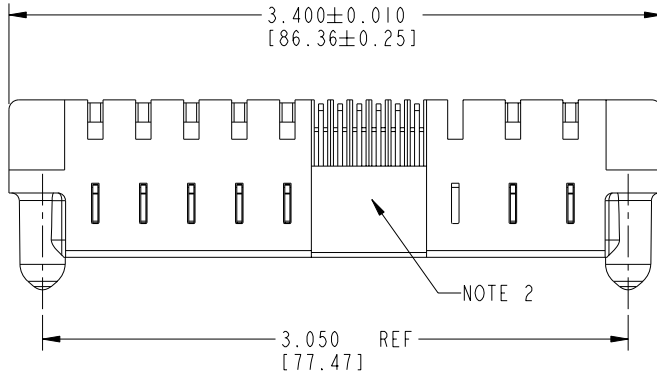


Tous droits strictement réservés. Reproduction ou communication a des tiers interdite sous quelque forme que ce soit sans autorisation écrite du propriétaire. Propriété de c FCI. Droits de reproduction FCI.

All rights strictly reserved. Reproduction or issue to third parties in any form whatever is not permitted without written authority from the proprietor. Property of FCI. Copyright FCI.

**FCI**

PRODUCT NUMBER  
SEE SHEET 4



mat'l code				NOTE 1		tolerances unless otherwise specified		CUSTOMER COPY		 www.fciconnect.com	
ltr	ecn no.	dr	date	linear	.XX ± .01 / .X ± .3	projection		title 3ACP + 24S + 5P RIGHT ANGLE SOLDER RECEPT.			
A	V02395	JRW	11-13-00		.XXX ± .005 / .XX ± .13	 IN/MM		product family		code	
B	DG05-0186	GuoJM	06/23/05	angles	.XXXX ± .0020 / .XXX ± .051			PwrBlade		213	
				dr	M. GALLUPS 04-25-00	scale 1:1		size		SHEET 1 OF 4	
				enrg	J. BROWN 04-25-00			A		51810	
				chr	J. BROWN 04-25-00						
				appd	J. BROWN 04-25-00						
sheet index	revision sheet	B 1	B 2	B 3	B 4						

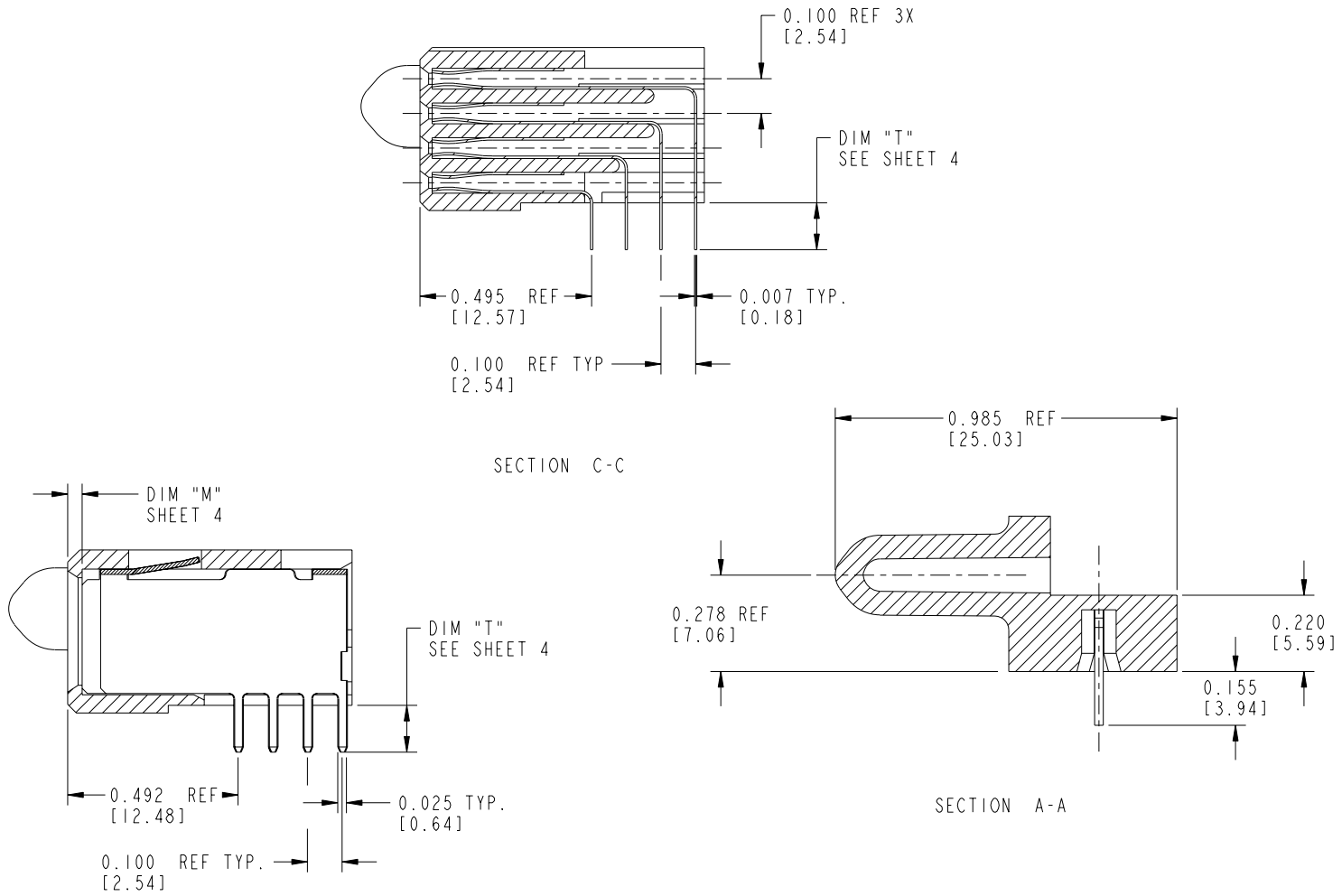
THIS FILE WAS ORIGINALLY CREATED IN THE PRO ENGINEER ENVIRONMENT AND ANY FUTURE REVISIONS TO THIS FILE MUST BE MADE IN THE PRO ENGINEER ENVIRONMENT

Tous droits strictement réservés. Reproduction ou communication a des tiers interdite sous quelque forme que ce soit sans autorisation écrite du propriétaire. Propriété de c FCI. Droits de reproduction FCI.

All rights strictly reserved. Reproduction or issue to third parties in any form whatever is not permitted without written authority from the proprietor. Property of FCI. Copyright FCI.

**A**  
**FCI**

PRODUCT NUMBER  
SEE SHEET 4



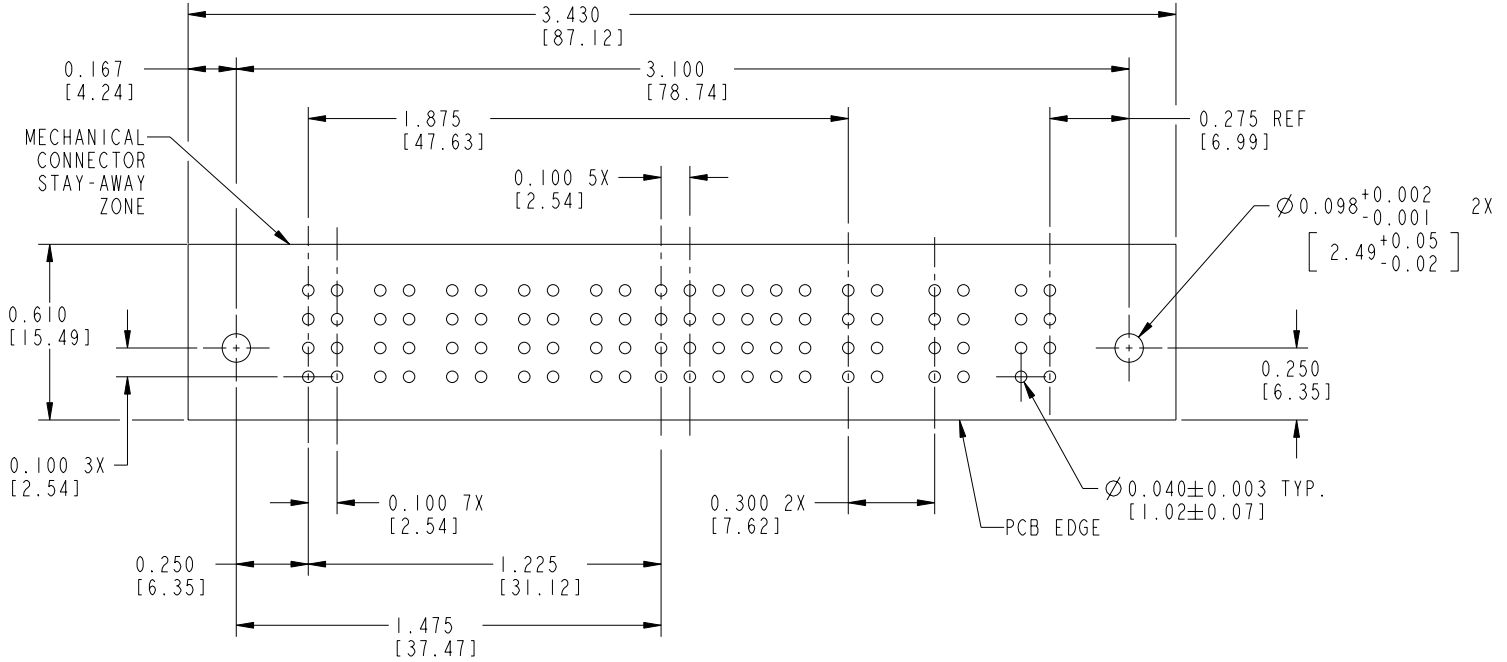
mat'l code		tolerances unless otherwise specified		CUSTOMER COPY		 www.fciconnect.com	
ltr	ecn no.	dr	date	linear	.XX ± .01 / .X ± .3	projection  IN/MM scale 2:1	title
B					.XXX ± .005 / .XX ± .13		3ACP + 24S + 5P RIGHT ANGLE SOLDER RECEPT.
				angles	.XXX ± .0020 / .XXX ± .051		product family
				dr	M. GALLUPS 04-25-00		PwrBlade
				enr	J. BROWN 04-25-00		code
				chr	J. BROWN 04-25-00		213
				appd	J. BROWN 04-25-00		SHEET 2
sheet index	revision sheet						

Tous droits strictement réservés. Reproduction ou communication a des tiers interdite sous quelque forme que ce soit sans autorisation écrite du propriétaire. Propriété de c FCI. Droits de reproduction FCI.

All rights strictly reserved. Reproduction or issue to third parties in any form whatever is not permitted without written authority from the proprietor. Property of FCI. Copyright FCI.

**FCI**

PRODUCT NUMBER  
SEE SHEET 4



RECOMMENDED PCB LAYOUT

mat'l code		tolerances unless otherwise specified		CUSTOMER COPY		<b>FCI</b> www.fciconnect.com	
ltr	ecn no.	dr	date	linear	projection	title	
B				.XX ± .01 / .X ± .3		3ACP + 24S + 5P RIGHT ANGLE SOLDER RECEPT.	
				.XXX ± .005 / .XX ± .13		product family	code
				.XXXX ± .0020 / .XXX ± .051		PwrBlade	213
				angles	1 IN / MM	size	dwg no
				0° ± 2°	scale	A	51810
				dr	3:2	SHEET 3	
				enrg			
				chr			
				appd			
				J. GALLUPS	04-25-00		
				J. BROWN	04-25-00		
				J. BROWN	04-25-00		
				J. BROWN	04-25-00		
sheet index	revision sheet						

Tous droits strictement réservés. Reproduction ou communication a des tiers interdite sous quelque forme que ce soit sans autorisation écrite du propriétaire. Propriété de c FCI. Droits de reproduction FCI.

**A**  
**FCI**

All rights strictly reserved. Reproduction or issue to third parties in any form whatever is not permitted without written authority from the proprietor. Property of FCI. Copyright FCI.

**B**

PRODUCT No.	ROWS	POWER					SIGNAL					POWER				ITEM NO.	QTY	DIM "M" MATING LENGTH ±.010 [.25]	DIM "T" TAIL LENGTH ±.010 [.25]	CONTACT TYPE			
51810-001-- Note:③	D C B A	E2	P8	P7	P6	P5	P4	6	5	4	3	2	1	P3	P2	P1	E1	PA	7	0.042 [1.07]	0.135 [3.43]	POWER	
			PA	PA	PA	PA	PA	HHHHHHHH GGGGGGGG FFFFFFFFFF EEEEEEEE						PA	PA	PA							

PRODUCT No.	ROWS	POWER					SIGNAL					POWER				ITEM NO.	QTY	DIM "M" MATING LENGTH ±.010 [.25]	DIM "T" TAIL LENGTH ±.010 [.25]	CONTACT TYPE			
51810-002-- Note:③	D C B A	E2	P8	P7	P6	P5	P4	6	5	4	3	2	1	P3	P2	P1	E1	PC	7	0.092 [2.34]	0.135 [3.43]	POWER	
			PC	PC	PC	PC	PC	HHHHHHHH GGGGGGGG FFFFFFFFFF EEEEEEEE						PA	PC	PC							

NOTES:

- HOUSING MATERIAL: UL 94 V-0 GLASS FILLED HIGH TEMP THERMOPLASTIC FLAME RETARDANT PER UL94 V-0  
SIGNAL CONTACT MATERIAL: COPPER ALLOY  
POWER CONTACT MATERIAL: COPPER ALLOY
- MANUFACTURER NAME, P/N, AND DATE CODE TO APPEAR ON THIS SURFACE.
- PLATING:  
51810-00X Singal Pin:30u"/0.76um Au OVER 50u"/1.27um Ni ON THE CONTACT AREA,  
AND 100u"/2.54um SnPb PLATING OVER 50u"/1.27um Ni ON THE TERMINATION SECTION.  
Power Pin:30u"/0.76um Au OVER 50u"/1.27um Ni ON THE CONTACT AREA,  
AND 100u"/2.54um SnPb PLATING OVER 50u"/1.27um Ni ON THE TERMINATION SECTION.  
51810-00XLF Singal Pin:30u"/0.76um Au OVER 50u"/1.27um Ni ON THE CONTACT AREA,  
AND 78u"/2.00um Sn PLATING OVER 50u"/1.27um Ni ON THE TERMINATION SECTION.  
Power Pin:30u"/0.76um Au OVER 50u"/1.27um Ni ON THE CONTACT AREA,  
AND 78u"/2.00um Sn PLATING OVER 50u"/1.27um Ni ON THE TERMINATION SECTION.  
PART NUMBER 51810-00XLF MEETS EUROPEAN UNION DIRECTIVE AND OTHER COUNTRY REGULATIONS AS DESCRIBED IN GS-22-008.  
THE HOUSING WILL WITHSTAND EXPOSURE TO 260° PEAK TEMPERATURE FOR 10 SECONDS IN A WAVE SOLDER APPLICATION WITH A CIRCUIT BOARD.

PCB - NOTES

- ALL DIMENSIONS ARE BASIC UNLESS OTHERWISE SPECIFIED.
- ALL THROUGH HOLES ARE LOCATED WITH A TRUE POSITION OF .004
- ALL HOLE DIAMETERS ARE FINISHED HOLE SIZE
- Ø.0453/1.151 DRILLED HOLES  
PLATED WITH .0003/ .007 MIN SnPb  
OVER .001/ .03 to .003/ .08 Cu PLATING TO ACHIEVE  
A .040±.003/1.02±.08 HOLE

mat'l code		-		tolerances unless otherwise specified		CUSTOMER COPY		<b>A</b> <b>FCI</b> www.fciconnect.com		
ltr	ecn no.	dr	date	linear	.XX ±.01/ .X ±.3	projection 	title 3ACP + 24S + 5P RIGHT ANGLE SOLDER RECEPT.			
B					.XXX ±.005/ .XX ±.13		IN/MM ← →	product family	PwrBlade	code
				angles	.XXX ±.0020/ .XXX ±.051			size	dwg no	213
				dr	0° ± 2°	scale	51810	SHEET	4	
				enrg	M. GALLUPS 04-25-00					
				chr	J. BROWN 04-25-00					
				appd	J. BROWN 04-25-00					
sheet index	revision sheet									